

1.8-inch SSD Drive Carrier XMC Adapter



APPLICATIONS

The XM 650/001 is an XMC adapter designed to carry a single 1.8-inch Solid-State-Disk (SSD) drive. The XMC adapter is suitable for use with XMC host boards including VME, VXS™, VPX™ and CompactPCI®. The SSD drive can be inserted and removed via the front panel of the adapter and is

designed for applications that require a front loading Storage drive, such as telecommunications, scientific, security and defense markets. Application examples include data recorders, database management, or local system storage. For harsher environments extended temperature versions are available.

HIGHLIGHTS

- XMC adapter designed to carry a single 1.8-inch Solid-State-Disk (SSD) drive:
 - supports a SATA600 drive interface
 - drive inserted and removed via a front panel aperture
 - front panel LED activity indicators
 - includes a mechanical retention cover
- XMC (Switched Mezzanine Card) format:
 - single size CMC (Common Mezzanine Card)
 - x1 or x2 PCI Express® (Gen 1 and Gen 2) interface
- Extended temperature versions (E, K-Series):
 - E: -25°C to +70°C
 - K: -40°C to +85°C (includes humidity sealant)
- For use with VME, VXS™, VPX™ and CompactPCI® and other XMC Host Boards
- Supported operating system is dependent on the host processor used

1.8-inch SSD Drive Carrier

- XMC adapter designed to carry a single 1.8-inch Solid-State-Disk (SSD) drive:
 - supports a SATA600 drive interface
- insert and remove via a front panel aperture:
 - includes a mechanical retention cover
 - hot-swap is not supported
- front panel LED activity indicator

XMC Interface

- PCI Express® to SATA bridge, to SSD site
- complies with PCI Express Protocol Specification 2.0 including:
 - x1 or x2 PCI Express® interface
 - supports Gen 1 and Gen 2

BIOS EEPROM

- 4Mbit SPI Flash EEPROM with BIOS firmware to support OS Boot
- In-circuit programmable

Software

- operating system support dependent on the host processor used

Electrical Specification

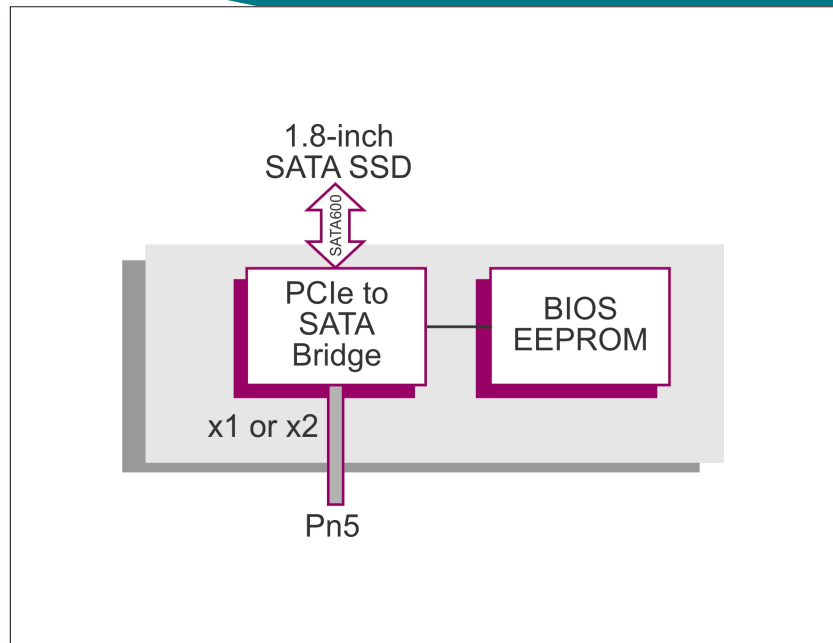
- maximum VPWR current without SSD drive fitted:
 - +5V @ 0.6A or
 - +12V @ 0.3A
- +5V +5%/-5%, +12V +5%/-5%
- -12V not utilized

Environmental Specification

- operating temperatures:
 - 0°C to +55°C (N-Series)
 - -25°C to +70°C (E-Series)
 - -40°C to +85°C (K-Series)
- storage temperature: -40°C to +85°C
- 5% to 95% Relative Humidity, non condensing (operating or storage):
 - K-Series includes humidity sealant

Mechanical Specification

- single size CMC (Common Mezzanine Card) 74mm x 149mm x 13mm:
 - conforming to ANSI/VITA 42.0-2008
- 10mm height stack module
- SSD drive maximum height 5mm



ORDERING INFORMATION

Order Number	Product Description (Hardware)
XM 650/001-yz	1.8-inch Solid-State-Disk Drive Carrier XMC Adapter

For the order number suffix (yz) options please contact your local sales office.
For accessories including SSD drives, extended temperature E-Series, please contact your local sales office.