

**Documentation**

[Manual](#)

**Debug support**

[XDS510PP PLUS](#)

[JTAG Emulator](#)

[Code Composer](#)

[Debugger](#)

[MDM320F24X Motor](#)

[Development Module](#)

**Sales**

[Pricing/Online Ordering](#)

[Ordering Information](#)

**Part Number**

701240

# Optically Isolated Adapter for JTAG Emulators

TI Third Party Network Member



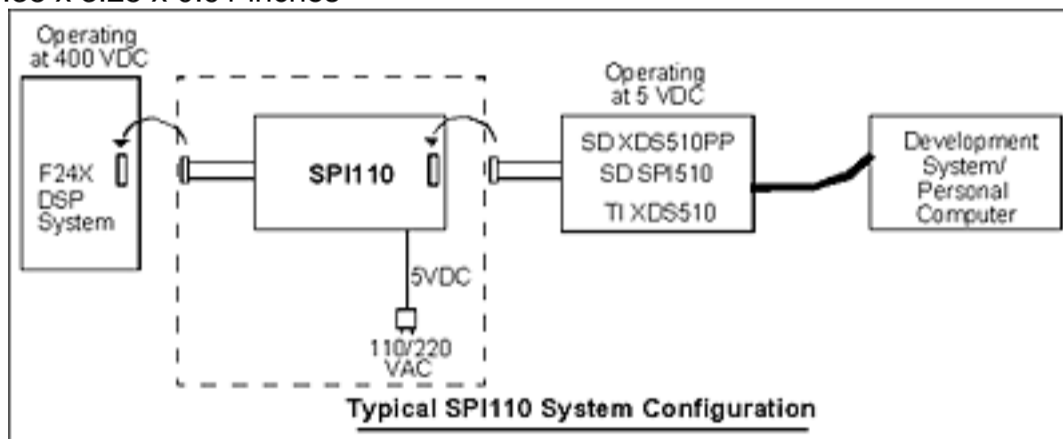
SPI110

**Hardware Features**

- Provides optical isolation of JTAG signals allowing debugging of high voltage applications (motor control)
- Compatible with Spectrum Digital's XDS510PP and SPI510 and TI's XDS510 JTAG emulators
- Transparent operation
- Single 5 volt supply
- Provides 2500 volts RMS isolation from input to output
- Isolator provides power to JTAG pod
- Size: 4.38 x 3.25 x 0.91 inches

**Software Features**

- Compatible with Windows based Code Composer by TI
- Enhanced DLL/drivers included



[ [Products](#) | [Technical Library](#) | [Sales and Pricing](#) | [About Spectrum Digital](#) ]  
[ [Product Registration](#) | [Service and Support](#) | [Search](#) | [Feedback](#) | [Home](#) ]



**SPECTRUM DIGITAL, INC.**

12502 Exchange Dr., Ste 440

Tel: 281/494-4500

Stafford, TX 77477

Fax: 281/494-5310