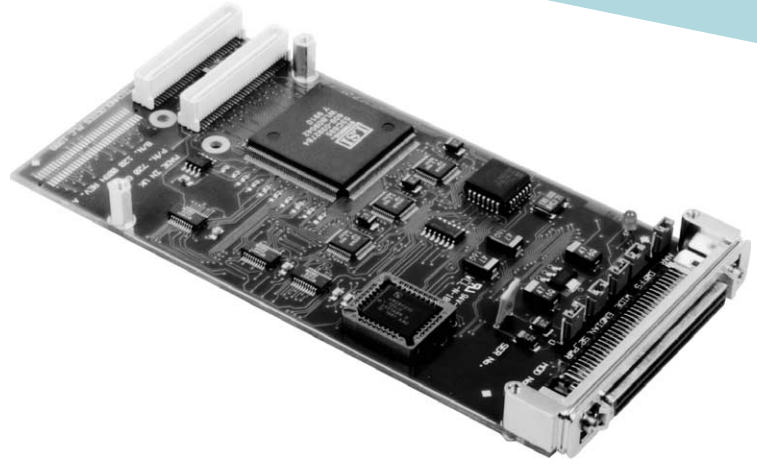


PMC Ultra2 Adaptor



APPLICATIONS

The SC PMC/895 is a high performance, intelligent Ultra2 SCSI adaptor suitable for any PMC Host Board including VME bus, CompactPCI® and Multibus II. The on-board LSI Logic® 53C895 controller manages the Ultra2 SCSI protocol, as well as the SCSI, SCSI-2, Fast SCSI and Ultra-SCSI protocols, thereby alleviating the processing load of the host CPU. The SCSI interface is accessible through the front panel or through the rear connector.

HIGHLIGHTS

- High performance SCSI interface:
 - Wide Ultra2 SCSI, Ultra2 SCSI
 - Wide Ultra SCSI, Ultra SCSI
 - SCSI-2, Fast SCSI, SCSI
 - data rates up to 80 Mbytes/sec
 - asynchronous or synchronous
 - Single-ended and LVD
 - active termination and signal negation connection via front panel or rear
 - narrow (8-bit) or wide (16-bit)
- 128 Kbytes Flash EPROM for BIOS
- PCI clock rates up to 33 MHz
- PMC (PCI Mezzanine Card) format:
 - single size CMC
 - 32-bit interface
 - 5 or 3.3 Volt interface
- Software support for Windows NT®, UnixWare®, QNX®, Linux®, Solaris™, VxWorks®

SCSI Interface

- many SCSI standards supported:-
 - Wide Ultra2 SCSI (16-bits) - 80 Mbytes/sec
 - Ultra2 SCSI (8-bits) - 40 Mbytes/sec
 - Wide Ultra SCSI (16-bits) - 40 Mbytes/sec
 - Ultra SCSI (8-bits) - 20 Mbytes/sec
 - Fast Wide SCSI (16-bits) - 20 Mbytes/sec
 - Fast SCSI (8-bits) - 10 Mbytes/sec
 - SCSI (8-bits) - 5 Mbytes/sec
- narrow (8-bit) or wide (16-bit) single-ended or LVD interface with auto-sense capability
- asynchronous or synchronous operation
- active termination and signal negation
- utilizing LSI Logic's 40 MHz 53C895 Ultra2 SCSI I/O Processor to provide:-
 - 32-bit PCI interface
 - 32-bit DMA bus master with PCI bus data transfer rates up to 110 Mbytes/sec
 - synchronous SCSI data rates up to 80 Mbytes/sec
 - 2MIPs RISC Script Processor
- SCSI I/O connection via:-
 - front panel connector (68-way SCSI connector); or
 - rear of board via J14 connector
- supports disk, tape and other peripherals

PMC (PCI Mezzanine Card) Interface

- complies with PCI Protocol Specification
- complies with PCI Electrical Specification
- supports PCI clock rates up to 33 MHz
- 5 or 3.3 Volt signaling interface
- 32-bit interface
- bus master capability
- base address and interrupt selection software configurable

BIOS Flash EPROM

- 128 Kbytes Flash
- 32-pin JEDEC socket, 8-bits wide
- supporting 29F010 devices
- standard LSI Logic BIOS firmware

Software

- support for Windows NT, UnixWare, QNX, Linux, Solaris, VxWorks

Electrical Specification

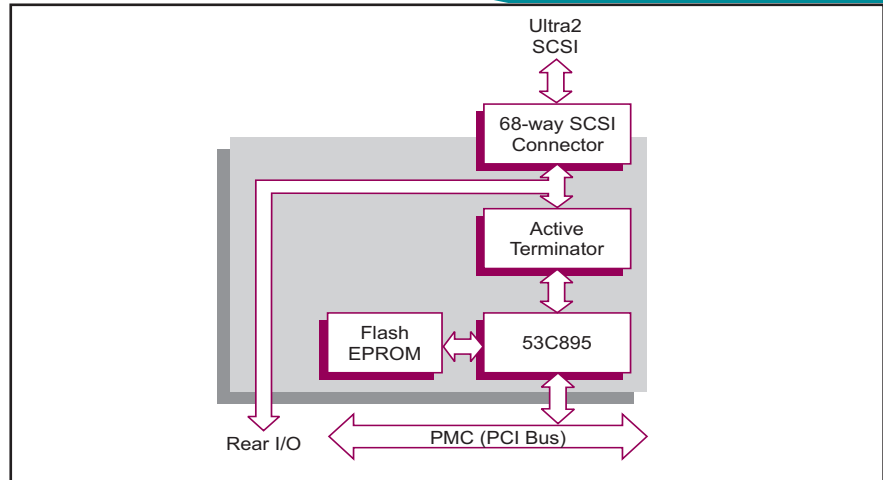
- all voltages to be within $\pm 5\%$
- 0.4A (maximum) current consumption at 5 Volts (excludes SCSI bus requirements)
- 0.00A at +12 Volts and -12 Volts (not utilized)

Environmental Specification

- 10°C to +55°C (operating)
- 10% to 90% Relative Humidity (operating)
- -40°C to +70°C (storage)
- 10% to 90% Relative Humidity (storage)

Mechanical Specification

- single size CMC (Common Mezzanine Card) 75mm x 150mm
- 10mm height stack module



ORDERING INFORMATION

Order Number Product Description (Hardware)

- | | |
|---------------|---|
| SC PMC/895-00 | Ultra2 SCSI Adaptor for PMC with I/O front panel only |
| SC PMC/895-10 | Ultra2 SCSI Adaptor for PMC with I/O via rear connector and front panel |