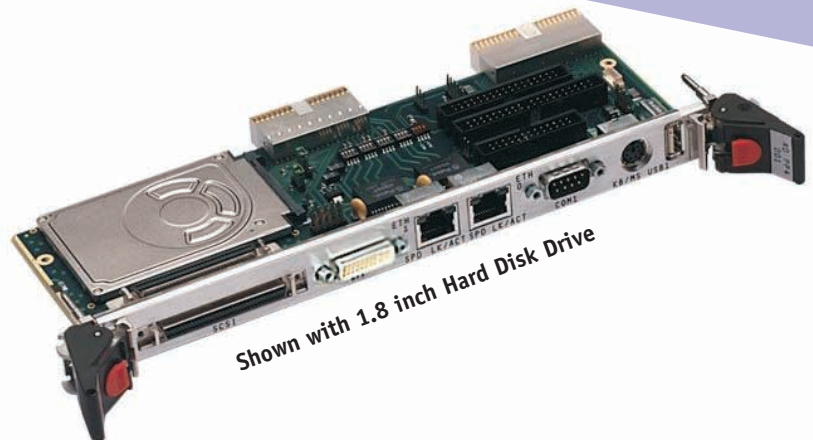


Transition Module



APPLICATIONS

The AD PP4/001 is designed to be used with various Concurrent Technologies' CompactPCI Slot Controllers. For example PP 220/01x, PP 200/01x and PP 121/01x. The Transition Module mounts in the rear transition area of the CompactPCI backplane and provides very simple

access to the majority of the I/O functions provided by the processor board. Many I/O functions are provided on the Transition Module's own front panel as well as from headers mounted on the Module.

HIGHLIGHTS

- Transition Module for rear I/O:
 - 80mm depth as per CompactPCI® specification
 - single slot
- Interfaces to CompactPCI via J3 and J5
- Dual 10/100/1000Mbps Ethernet via RJ45 connectors on Transition Module's front panel
- Floppy Disk interface via a 34-way header
- EIDE interface via 40-way header and either CompactFlash connector or 1.8 inch hard disk drive fitted:
 - supports up to Ultra-DMA 100
- PC speaker via 5-way header
- Auxiliary IPMB interface via 5-way header
- Parallel printer port interface (ECP, EPP and IEEE1284) via a 26-way header
- 2 x USB interfaces via USB connector on Transition Module's front panel and 4-way header
- Graphics interface
- COM1 port via 9-way D-type connector on Transition Module's front panel
- COM2 Port via 10-way header or 9-way D-type connector
- System fan monitor via 3-way header
- PS/2 keyboard and mouse interfaces via circular mini DIN connector on Transition Module's front panel
- Ultra-2 Wide SCSI via 68-way header and connector on Transition Module's front panel
- Extended temperature version available:
 - -25°C to +70°C (E-Series)
 - -40°C to +85°C (K-Series, includes humidity sealant)
 - CompactFlash version only

Ethernet Interface

- two channels
- supports 10BaseT, 100BaseTx and 1000BaseT for UTP CAT5 via RJ45 connectors on front panel
- signaling can be routed to transition module's front panel or PICMG® 2.16 Packet Switching Backplane using the onboard switches

EIDE Interface

- supports up to Ultra-DMA 100 speeds via 40-way header
- connectors for either:-
 - 1 x CompactFlash (N-, E-, K-Series)
 - 1.8 inch Hard Disk Drive fitted (N-Series)

SCSI

- 68-way high density D-Type on front panel
- 68-way high density vertical D-Type connector on-board
- supports modes up to Ultra-2 Wide SCSI

Floppy Disk Interface

- via 34-way header on board

USB Interface

- accessed via USB connector and 4-way header

Serial Interface

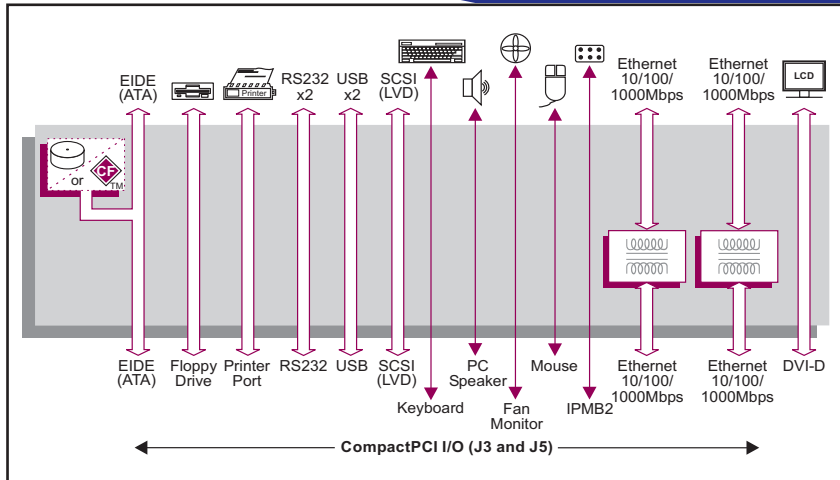
- 9-way D-type connector for COM1
- 10-way header for COM2
- optional 9-way D-type connector for COM2 (replaces DVI-D connector)

Parallel Printer Port

- via 26-way header on-board
- supports all common modes of operation (for example, EPP, ECP)

Digital Flat Panel Interface

- supports an optional DVI-D interface for driving TFT flat panels via connector on the front panel
- not available when COM2 9-way D-type connector fitted



Other Interfaces

- PC speaker via 5-way header
- auxiliary IPMB interface via 5-way header
- keyboard and mouse via circular mini DIN connector
- system fan monitor via 3-way header

Electrical Specification

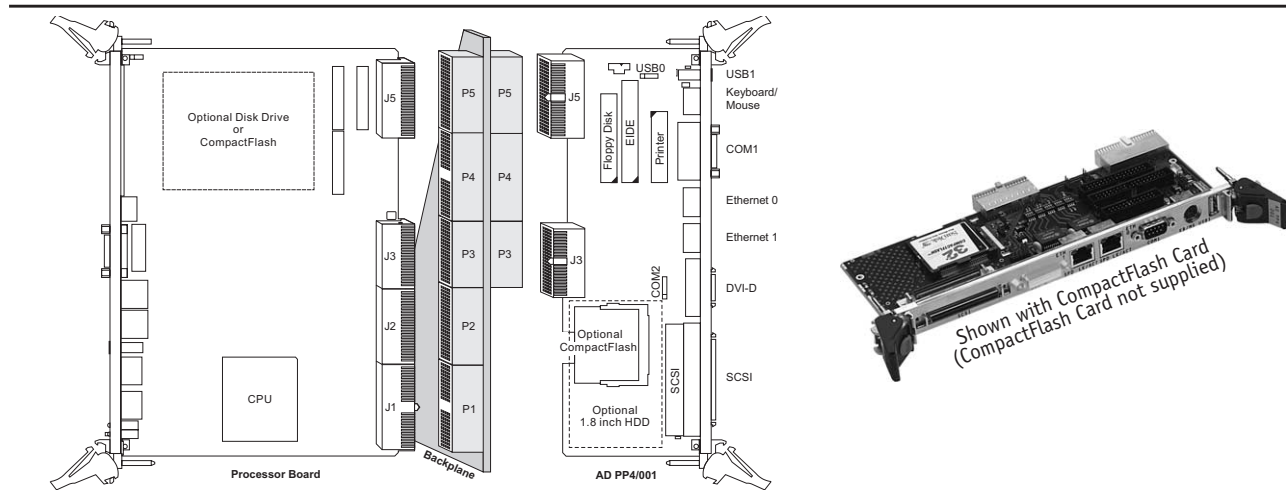
- all voltages to be within $\pm 5\%$
- +5V@0.2A - quiescent current;
- +3.3V@0.05A; +12V@0.0A; -12V@0.0A

Environmental Specification

- operating temperatures:-
 - 0°C to +55°C (N-Series)
 - -25°C to +70°C (E-Series, CompactFlash)
 - -40°C to +85°C (K-Series, CompactFlash)
- 10% to 90% Relative Humidity, non-condensing (operating):-
 - K-Series includes humidity sealant
- -40°C to +85°C (storage)
- 10% to 90% Relative Humidity, non-condensing (storage)

Mechanical Specification

- 6U form-factor:- 9.2" x 3.2" (233.35mm x 80 mm)
- single-slot: 0.8" (20.3mm)
- connectors: IEC-1076-4-101 for J3 and J5
- shock:
 - 20g, 11ms, 1/2 sine (operating);
 - 30g, 11ms, 1/2 sine (non-operating)
- vibration:
 - 5Hz-2000Hz at 2g, 0.38mm peak displacement (operating);
 - 5Hz-2000Hz at 5g, 0.76mm peak displacement (non-operating)



ORDERING INFORMATION

Order Number Product Description (Hardware)

- AD PP4/001-10 Transition Module with COM2 9-way D-type connector plus CompactFlash connector
- AD PP4/001-11 Transition Module with COM2 9-way D-type connector plus 1.8 inch Hard Disk Drive
- AD PP4/001-20 Transition Module with DVI-D connector plus CompactFlash connector
- AD PP4/001-21 Transition Module with DVI-D connector plus 1.8 inch Hard Disk Drive

For extended temperature, E or K-Series, please contact your local sales office