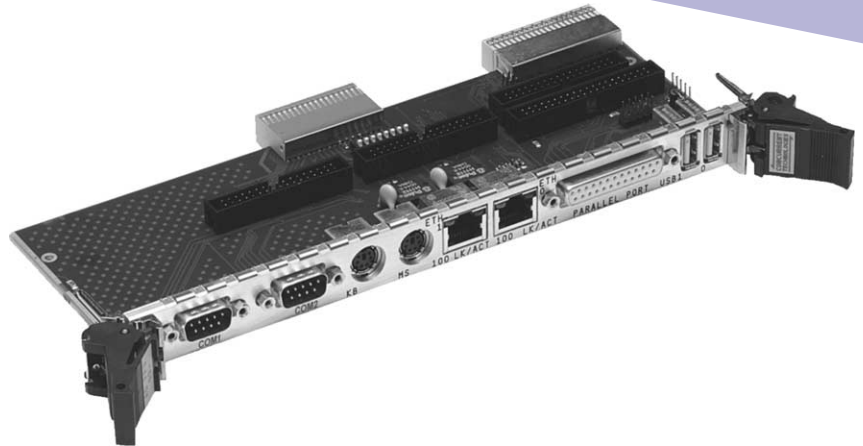


## Transition Module



### APPLICATIONS

The AD PP3/001 is designed to be used with Concurrent Technologies' PP CP2/P3x board products. The Transition Module mounts in the rear transition area of the CompactPCI® (CPCI) backplane and provides very simple access to the majority of the I/O functions provided on the PP CP2/P3x processor board. Many I/O functions are provided on the Transition Module's own "front panel" as well as from headers mounted on the Module.

### HIGHLIGHTS

- Transition Module for rear I/O:
  - 80mm depth as per CPCI specification
  - single slot
- Interfaces to CPCI via J3 and J5
- Dual 10/100Mbps Ethernet via RJ45 connectors on Transition Module's front panel
- Floppy Disk interface via a 34-way header
- EIDE interface via 40-way header
- PC speaker via 5-way header
- Auxiliary IPMB interface via 10-way header
- PMC Module rear I/O via dual 34-way IDC headers
- Parallel printer port interface (ECP, EPP and IEEE1284) via a 25-way D-type connector on Transition Module's front panel
- 2 x USB interfaces via USB connectors on Transition Module's front panel
- COM1 and COM2 ports via two 9-way D-type connectors on Transition Module's front panel
- System fan monitor via dual 3-way header
- PS/2 keyboard and mouse interfaces via circular mini DIN connectors on Transition Module's front panel

## Ethernet Interface

- two channels
- supports 10BaseT and 100BaseTx for UTP CAT5 via RJ45 connectors on front panel

## EIDE Interface

- supports Ultra-DMA 33 via 40-way header

## Serial Interface

- 9-way D-type connectors for COM1 and COM2

## USB Interface

- accessed via 2 USB connectors:-
  - one interface is in parallel with the interface on the front panel of the baseboard (e.g. PP CP2/P3x)

## Parallel Printer Port

- via 25-way D-type connector
- supports all modes of operation:-
  - ECP, EPP and IEEE1284

## Floppy Disk Interface

- via 34-way header

## PMC rear panel I/O

- all 64 lines connected to two 34-way headers (32 I/O to each header)

## Other Interfaces

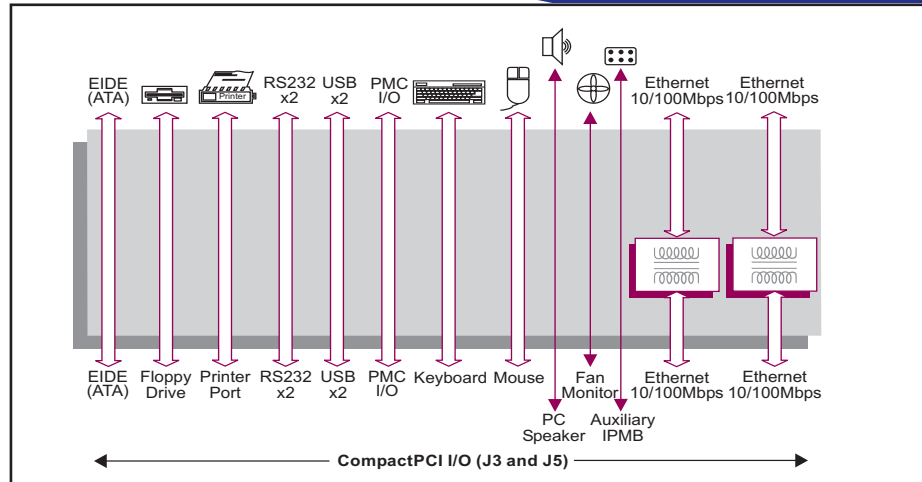
- PC speaker via 5-way header
- auxiliary IPMB interface via 10-way header
- keyboard and mouse via PS/2™ connectors
- system fan monitor via dual 3-way header

## Electrical Specification

- all voltages to be within ±5%
- +5V@0.1A; +3.3V@0.0A; +12V@0.0A; -12V@0.0A

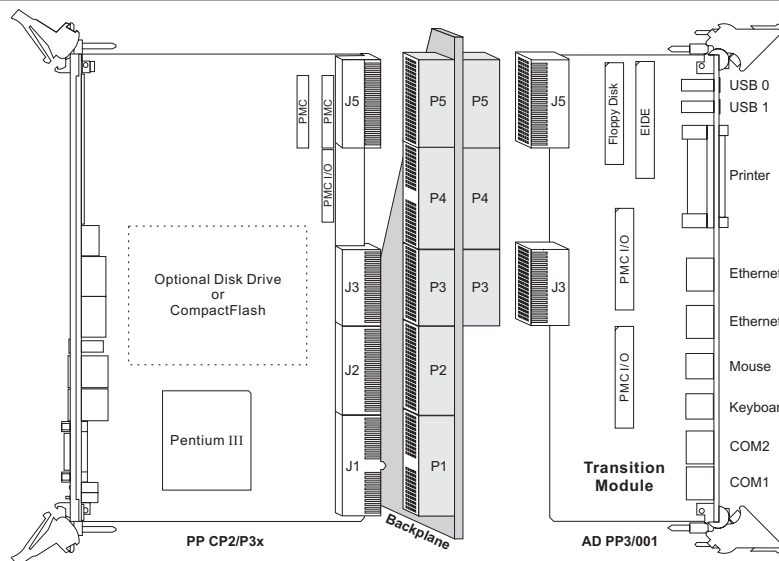
## Environmental Specification

- 0°C to +55°C (operating)
- 10% to 90% Relative Humidity, non-condensing (operating)
- -40°C to +70°C (storage)
- 10% to 90% Relative Humidity, non-condensing (storage)



## Mechanical Specification

- 6U form-factor: 9.2" x 3.2" (233.35mm x 80mm)
- single-slot: 0.8" (20.3mm)
- connectors: IEC-1076-4-101 for J3 and J5
- shock:
  - 20g, 11ms, ½ sine (operating);
  - 30g, 11ms, ½ sine (non-operating)
- vibration:
  - 5Hz-2000Hz at 2g, 0.38mm peak displacement (operating);
  - 5Hz-2000Hz at 5g, 0.76mm peak displacement (non-operating)



## ORDERING INFORMATION

**Order Number**    **Product Description (Hardware)**

AD PP3/001-00    Transition Module for PP CP2/P3x